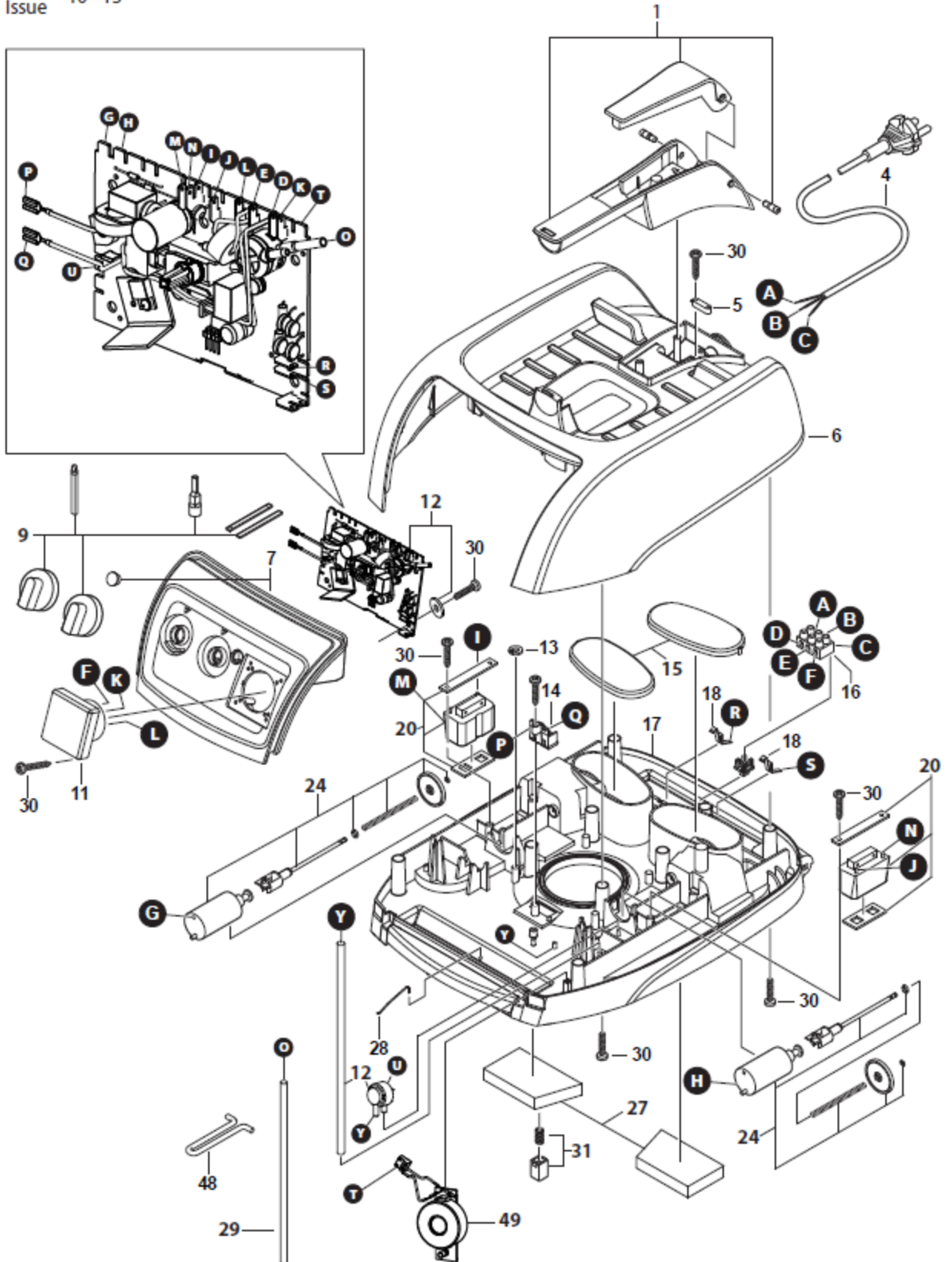


RP 350 YDM/H

HITACHI RP350YD M / H

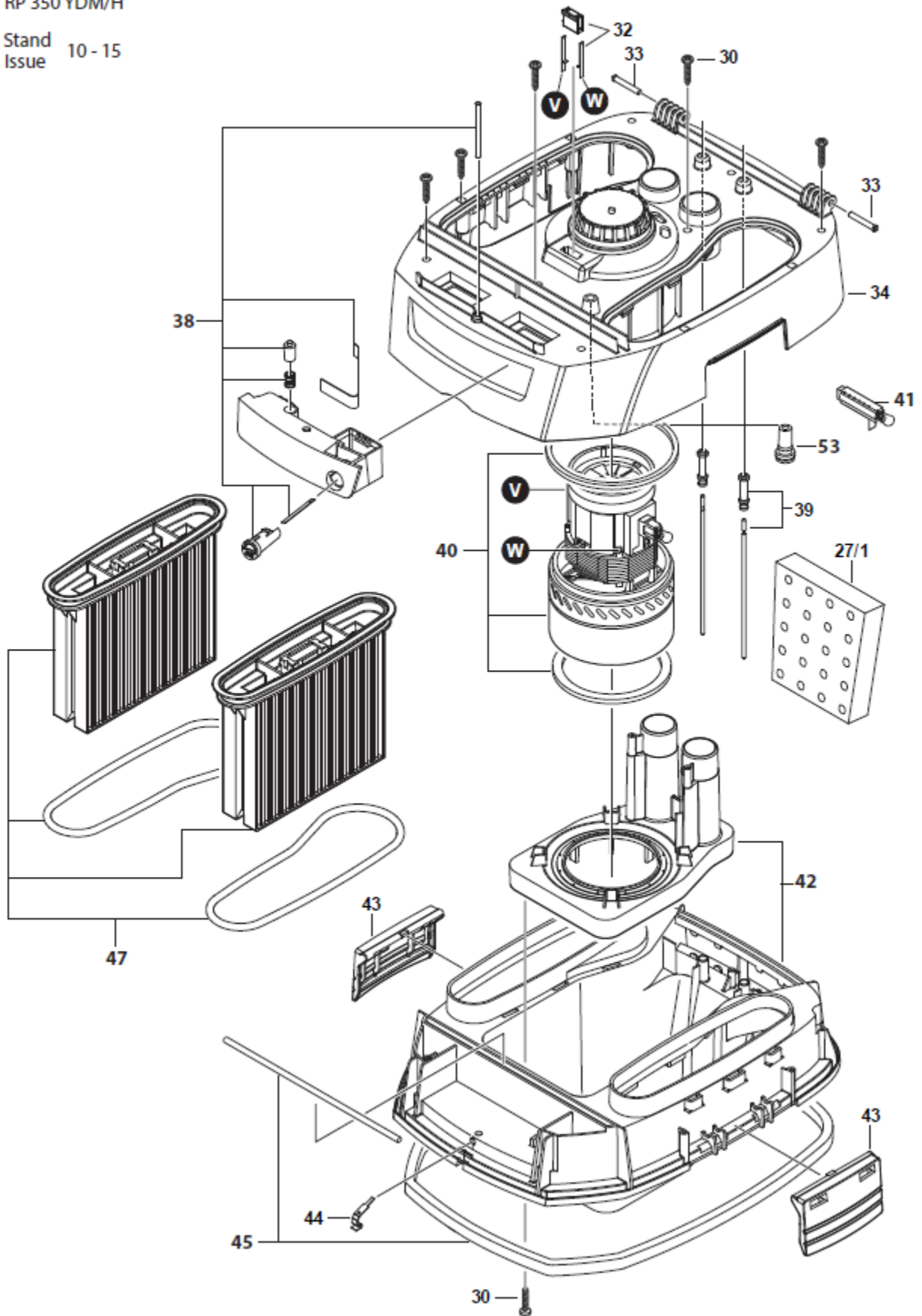
Stand
Issue 10 - 15



HITACHI RP350YD M / H

RP 350 YDM/H

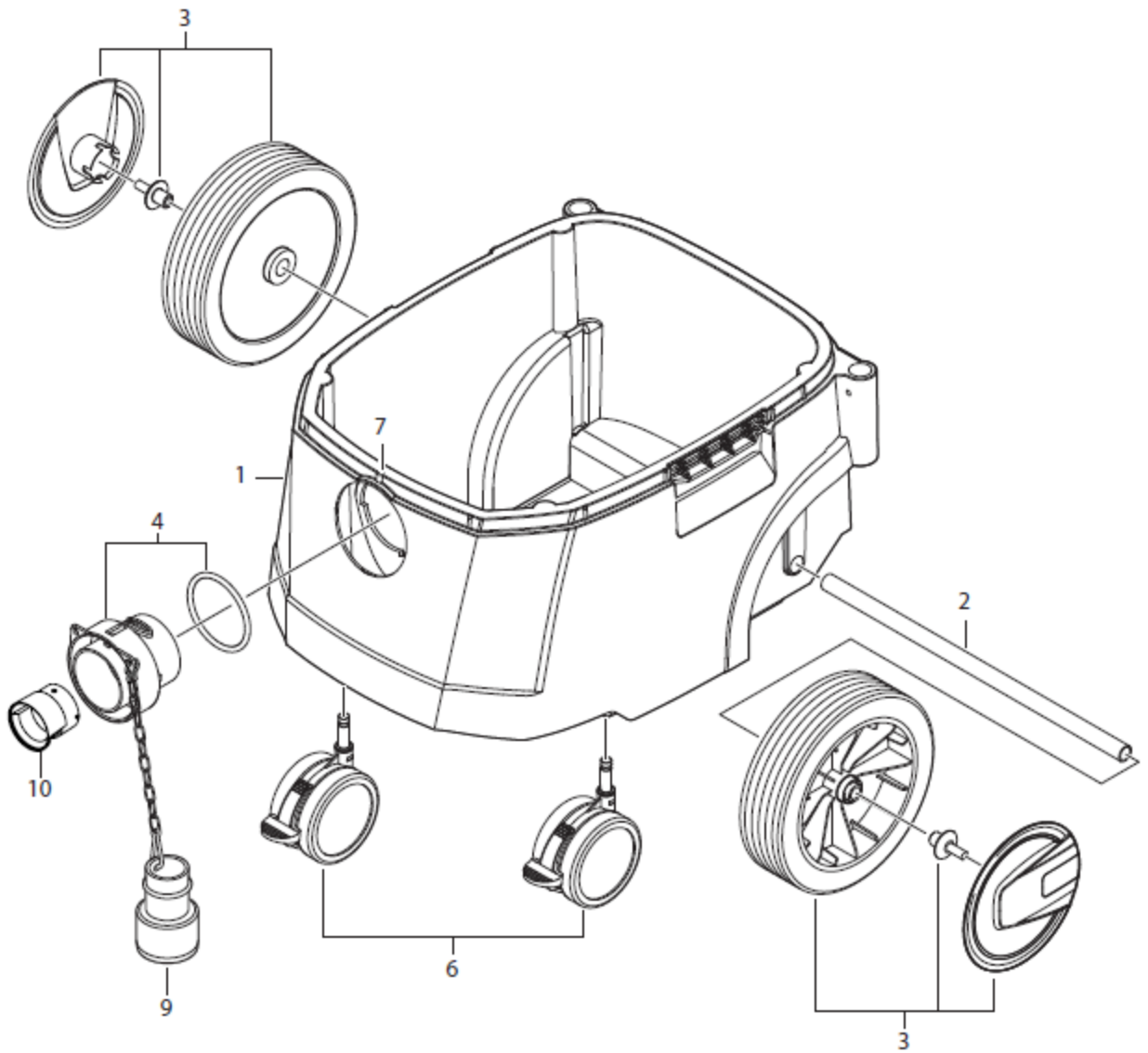
Stand 10 - 15
Issue



HITACHI RP350YD M / H

RP 350 YDM/H

Stand
Issue 10 - 15



HITACHI RP350YD M / H

RP350YDM RP350YDH				
Pos.-Nr.	Description (EN)	Type	Hitachi Item No.	EAN
01	Set handle RP350	A+B	338582	4549115099784
04	Power Cord	A+B	338585	4549115099814
05	Strain relief clamp	A+B	338586	4549115099821
06	Cover housing	A+B	338587	4549115099838
07	Set Front plate + lens	A+B	338588	4549115099845
09	Set Adjusting knob	A+B	338589	4549115099852
11	Power tool plug socket	A+B	338595	4549115099913
12	Set Electronic plate RP350	A+B	338596	4549115099920
13	Set holding disc	A+B	338597	4549115099937
14	Motor plug socket	A+B	338598	4549115099944
15	Set Cover	A+B	338599	4549115099951
16	Luster terminal	A+B	338600	4549115099968
17	Carrier plate	A+B	338601	4549115099975
18	Set Contact bow	A+B	338602	4549115099982
20	Set Vibrating magnet	A+B	338604	4549115100008
24	Set Pull magnet	A+B	338608	4549115100046
27+27/1	Set Motor protection filter	A+B	338610	4549115100060
28	Contact wire	A+B	338611	4549115100077
29	Vacuum tube	A+B	338612	4549115100084
30	Spax screw	A+B	338613	4549115100091
31	Set pressure piece	A+B	338614	4549115100107
32	Set Motor plug connector	A+B	338615	4549115100114
33	Set bearing pin	A+B	338616	4549115100121
34	Motor housing	A+B	338617	4549115100138
38	Set Lock bar Zb	A+B	338618	4549115100145
39	Set Electrode	A+B	338621	4549115100176
40	Set Motor 230V	A+B	338623	4549115100190
41	Set carbon brushes	A+B	338624	4549115100206
42	Lower housing	A+B	338627	4549115100237

HITACHI RP350YD M / H

Pos.-Nr.	Description (EN)	Type	Hitachi Item No.	EAN
43	Set closing latch	A+B	338628	4549115100244
44	Discharge bridge	A+B	338629	4549115100251
45	Set square bar sealing + foam rubber	A+B	338630	4549115100268
47	Filter cartridge polyester	A	338633	4549115100299
47	Filter cartridge HEPA	B	338634	4549115100305
00	Specification plate	A	338619	4549115100152
00	Specification plate	B	338620	4549115100169
48	Brace support	A+B	338635	4549115100312
49	Signal horn	A+B	338636	4549115100329
53	Pressure sealing	A+B	338637	4549115100336
00	iPulse label	A+B	338638	4549115100343
00	"H" label	B	338639	4549115100350
00	"M" label	A	338640	4549115100367

Canister 35Liter				
01	Container	A+B	338643	4549115100398
02	Axle	A+B	338644	4549115100404
03	Set wheel	A+B	338645	4549115100411
04	Set Inlet fitting (drilled)	A+B	338646	4549115100428
06	Set caster wheel	A+B	338648	4549115100442
07	Discharge bolt	A+B	338649	4549115100459
09	Set Container stopper	A+B	338651	4549115100473
10	Set Rotary valve	A+B	338652	4549115100480
95	Accessories fastener	A+B	338653	4549115100497
00	Pushing handle	A+B	338654	4549115100503
00	Set Fastener spring	A+B	338655	4549115100510